

Date : 8-3-2019

Created : B. van Leeuwen

Revision: A

### 792800B20

Page 2 of 4

ITEM	QTY	PART NUMBER	DESCRIPTION	REVISION DATE
1	1	7B116	Base B20-P	
2	2	FB1016	Hex Bolt	
3	2	F41125	Covering Cap	
4	1	7B121	Wheelbase	
5	6	FR020	Spring Retaining Ring	
6	4	FS20	Washer	
7	2	F0044	Wheel	
8	2	F41212BZW	Cover Cap	
9	2	Y2040	Adamas Sticker Transparant (50x125 mm)	
10	1	F6V32	Locking Pin	
11	1	G1009R	Combination Ratchet Spanner SW17	
12	1	7928100	Strut Spindle	
13	1	7928080	Cranck	
14	1	7928074	Bushing	
15	1	7928073	Locking Clamp	
16	2	FS14M	Washer (Brass)	
17	1	FM12B	Locking Nut M12	
18	1	FM06B	Hex Nut	
19	2	FS06	Washer	
20	1	7928076	Spring	
21	1	7928075	Shaft	
22	2	FR014	Spring Retaining Ring	
23	1	FBC875	Cylinder Head Cap Screw	
24	1	7928083	Strut Pole	
25	4	FB1070	Hex-Head Bolt	
26	4	FV10	Spring Washer	
27	8	FS10	Washer	
28	2	792808	Distance Plate	
29	2	8S023	Clamp	
30	1	F40420	Bridge Handle	
33	1	7928086	Rubber Strut Plate	
34	2	FBC050	Cylinder Head Cap Screw	
35	2	FS08	Washer	
36	4	FF3630	Countersunk Flat Head Self-tapping Screw	
37	1	7980035S	Endplate Column (Stamp)	
38	1	7980032	Column	
39	1	7980035	Endplate Column	
40	1	7980201	Grip (Assembly)	
41	1	7980054	Clamping Bolt	
42	1	FG1218	Helicoil	
43	1	7980084A	Carriage Ceiling	
44	2	FBC012	Cylinder Head Cap Screw	
45	1	A5026	Spirit Level (Rectangle)	
46	4	792301	Slide Block	
47	1	7980009	Adjusting Nut (Assembly)	
49	1	F1066	Spirit Level (Round)	
50	2	ET019A	Bearing	
51	1	7980038	Spindle	
52	1	7980023	Sliderblock Holder	
53	2	FS20P3	Shimring	
54	1	NMH0201	Manual - Adamas - Instructions for use - B20-P	
55	1	Y2043	Serial Plate	28-10-2020
56	1	Y2043A	Serial Protection	28-10-2020
57	2	FI0610ST	Hexagon Socket Set Screw Soft Tip	28-10-2020

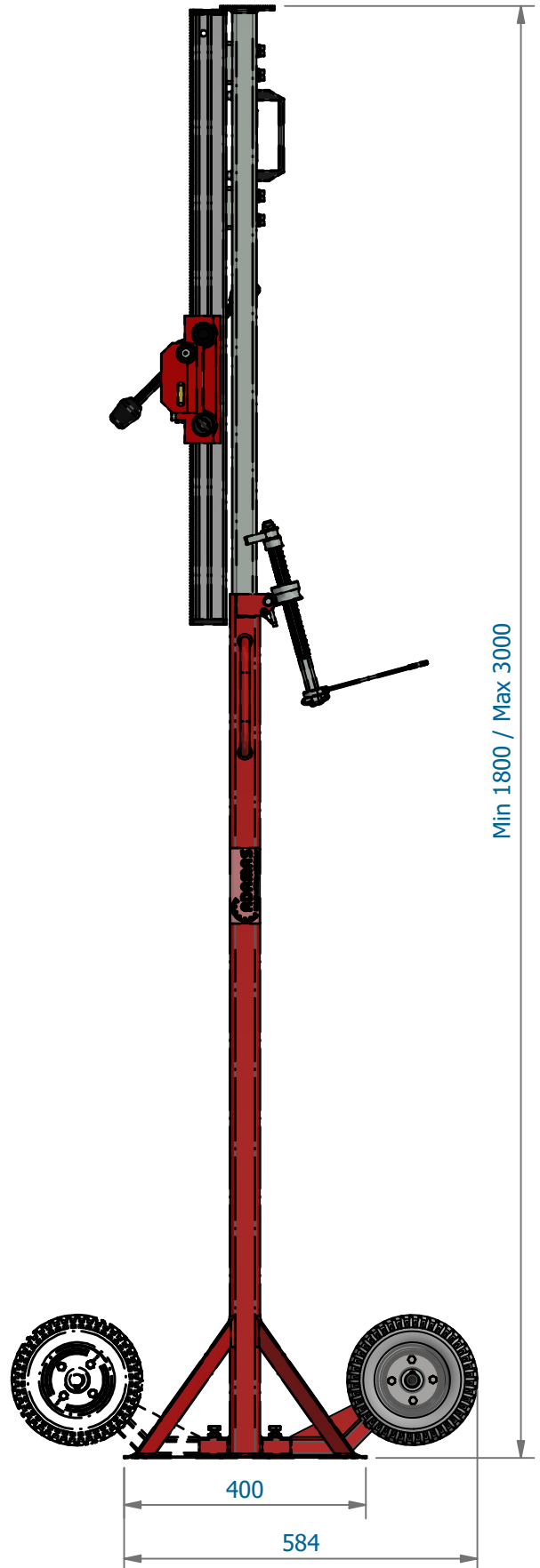
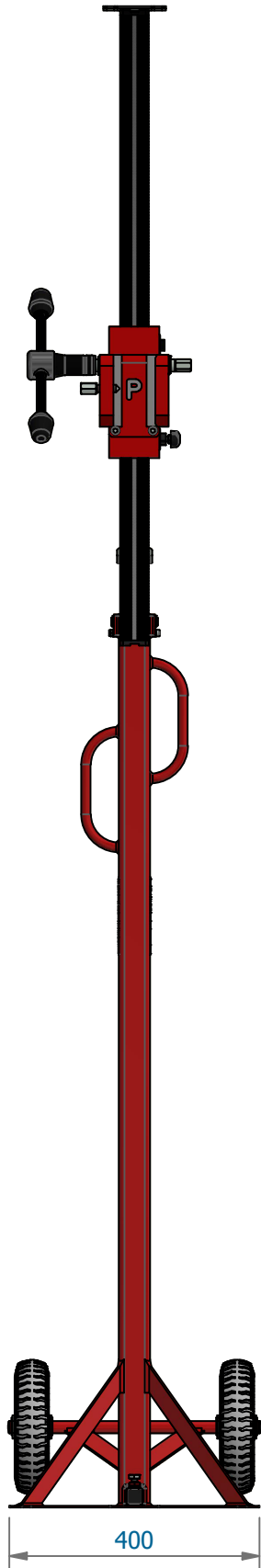
Date : 8-3-2019

Created : B. van Leeuwen

Revision: A

### 792800B20

Page 3 of 4



Date : 8-3-2019

Created : B. van Leeuwen

Revision: A

### 792800B20

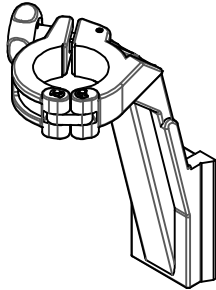
Page 4 of 4

#### ACCESSORIES

##### Quick Release

##### Motorbracket

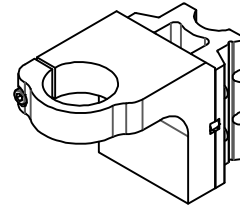
792610



##### Heavy Duty

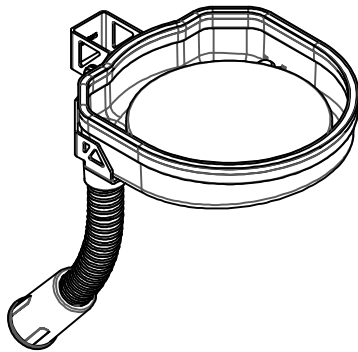
##### Heavy Duty Motorbracket

7B86



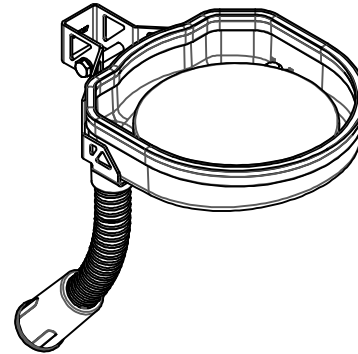
7928106

##### Water Collector Ring Ø170mm



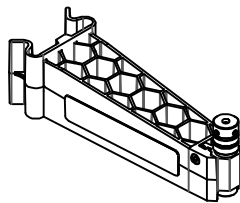
7928092

##### Water Collector Ring Ø170mm



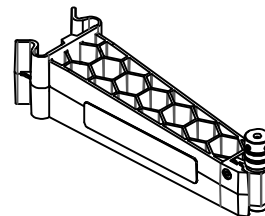
2PL09

##### Center Laser 150mm



2PL11

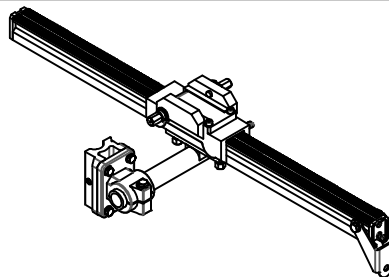
##### Center Laser 174mm



##### Universal

792800B20H

##### 360° Column



7928101

##### Platform

