

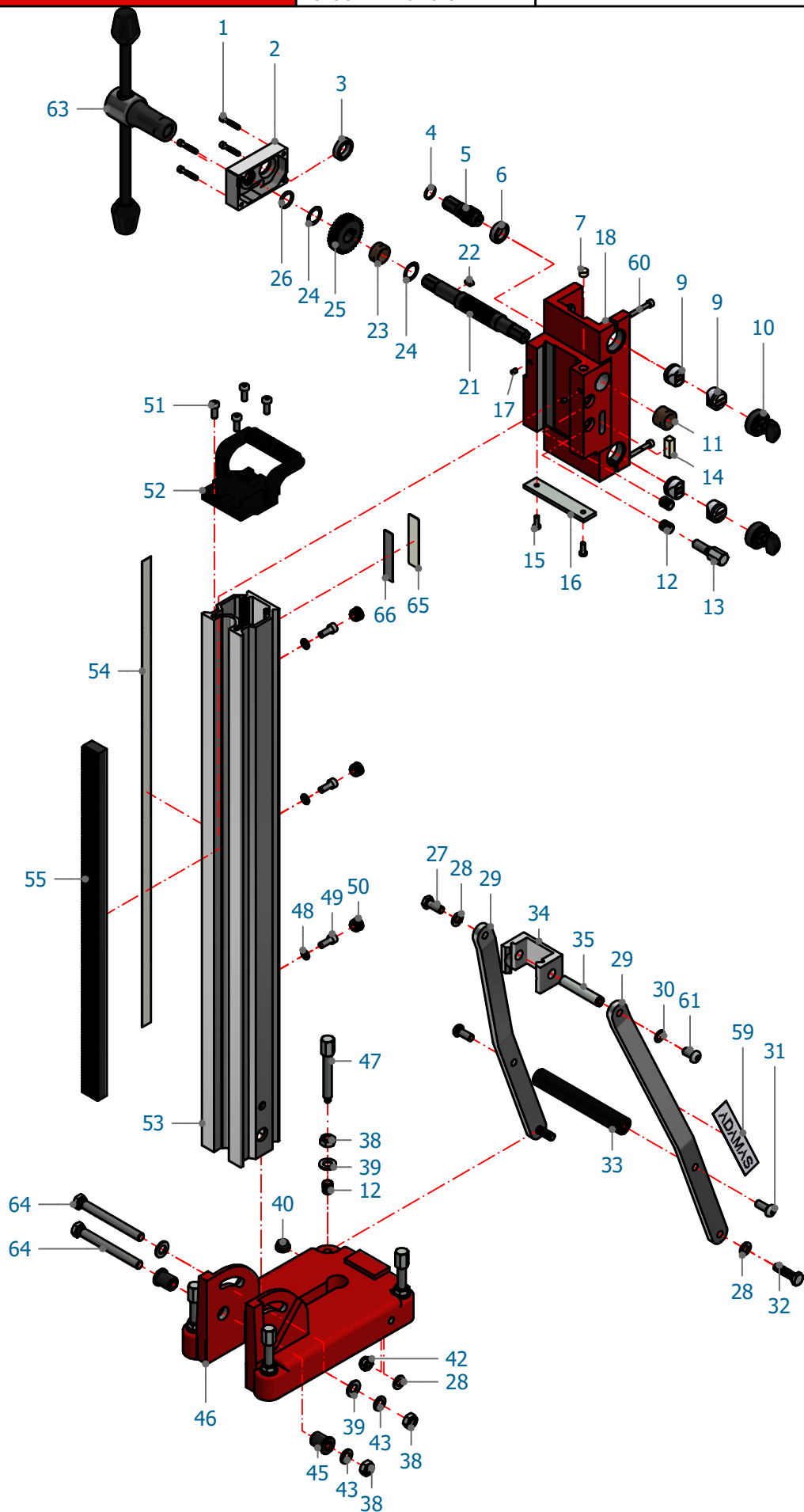
Date : 2-7-2013

Created : W. Tammen

Revision: 21-10-2025

793000XK

Page 1 of 3



Copyright © to all intellectual property, images and text within this drawing belongs to the creator of this document and may not be reproduced or used for any commercial purposes whatsoever without written permission.

Date : 2-7-2013

Created : W. Tammen

Revision: 21-10-2025

793000XK

Page 2 of 3

ITEM	QTY	PART NUMBER	DESCRIPTION	REVISION DATE
1	4	FBC730	Cylinder Head Cap Screw	
2	1	793310	Gear House	
3	1	EA040A	Bearing	
4	1	E4017B	O-Ring	
5	1	7980091	Small Spindle	
6	1	EA033A	Bearing	
7	1	F1066	Spirit Level (Round)	
9	4	792301	Slide Block	
10	2	7980009	Adjusting Nut (Assembly)	
11	1	793306	Bearing Wide	
12	6	FG1218	Helicoil	
13	1	7980054	Clamping Bolt	
14	1	A5026	Spirit Level (Rectangle)	
15	2	FBB616	Cylinder Head Cap Screw	
16	1	793311	End Strip	
17	2	FI0608	Hexagon Socket Set Screw	
18	1	793036	Sliding House	
21	1	7980092	Spindle	
22	1	F6R312	Parallel Key	
23	1	793307	Bearing Small	
24	2	FS20P3	Shimring	
25	1	793305	Gear Z=35	
26	1	E4020A	O-Ring	
27	1	FB1025	Hex-Head Bolt	
28	5	FS10	Washer	
29	2	795024X	Stabilisation Bar	
30	1	FV10T	Serrated Lock Washer	
31	2	FBE1225	Socket Button Head Screw	
32	2	FB1040	Hex Bolt	
33	1	7980074	Handle	
34	1	793203	Column support	
35	1	7980075	Filling Bush	
38	6	FM12	Hex Nut	
39	6	FS12	Washer	
40	4	F42611	Pressure-ring	
42	2	FM10B	Locking Nut	
43	2	FV12	Spring Washer	
45	2	793111A	Bushing	
46	1	793017	Base Plate	
47	4	7980070	Adjustment bolt M12	
48	3	FV08	Spring Washer	
49	3	FBC020	Cylinder Head Cap Screw	
50	3	F41216	Covering Cap	
51	4	FBB820	Cylinder Head Cap Screw	
52	1	793348	Covergrip	
53	1	793022K	Column	
54	1	792209	Depth Indicator	
55	1	793201	Toothrack	
59	2	Y2091	Sticker Adamas	21-10-2025
60	2	FBC840	Cylinder Head Cap Screw	04 - 07 - 2013
61	1	FBE1220	Hexagon Socket Button Head Screw	04 - 07 - 2013
63	1	7980202	Grip (Assembly)	04 - 07 - 2013
64	2	FB2120	Hex Bolt	25-06-2021
65	1	Y2043A	Serial Protection	25-06-2021
66	1	Y2043	Serial Plate	25-06-2021

Date : 2-7-2013

Created : W. Tammen

Revision: 21-10-2025

793000XK

Page 3 of 3

