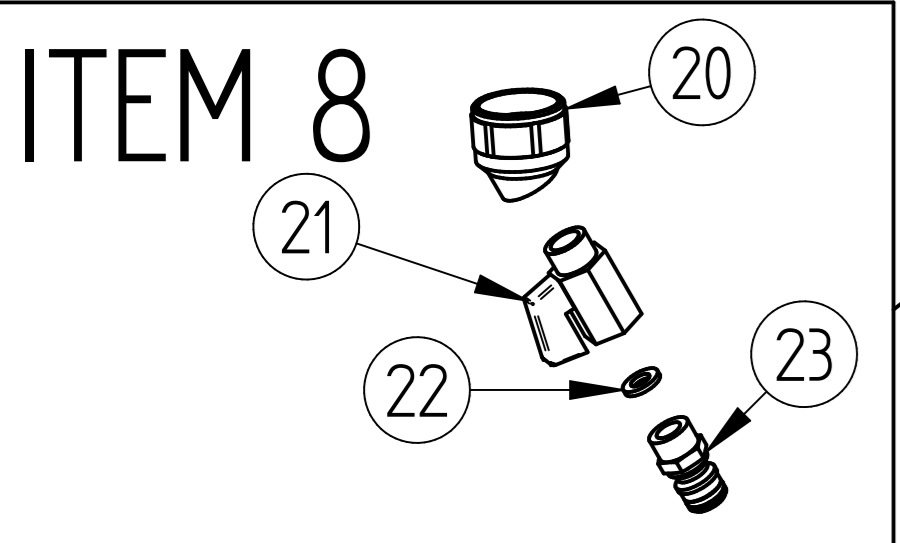
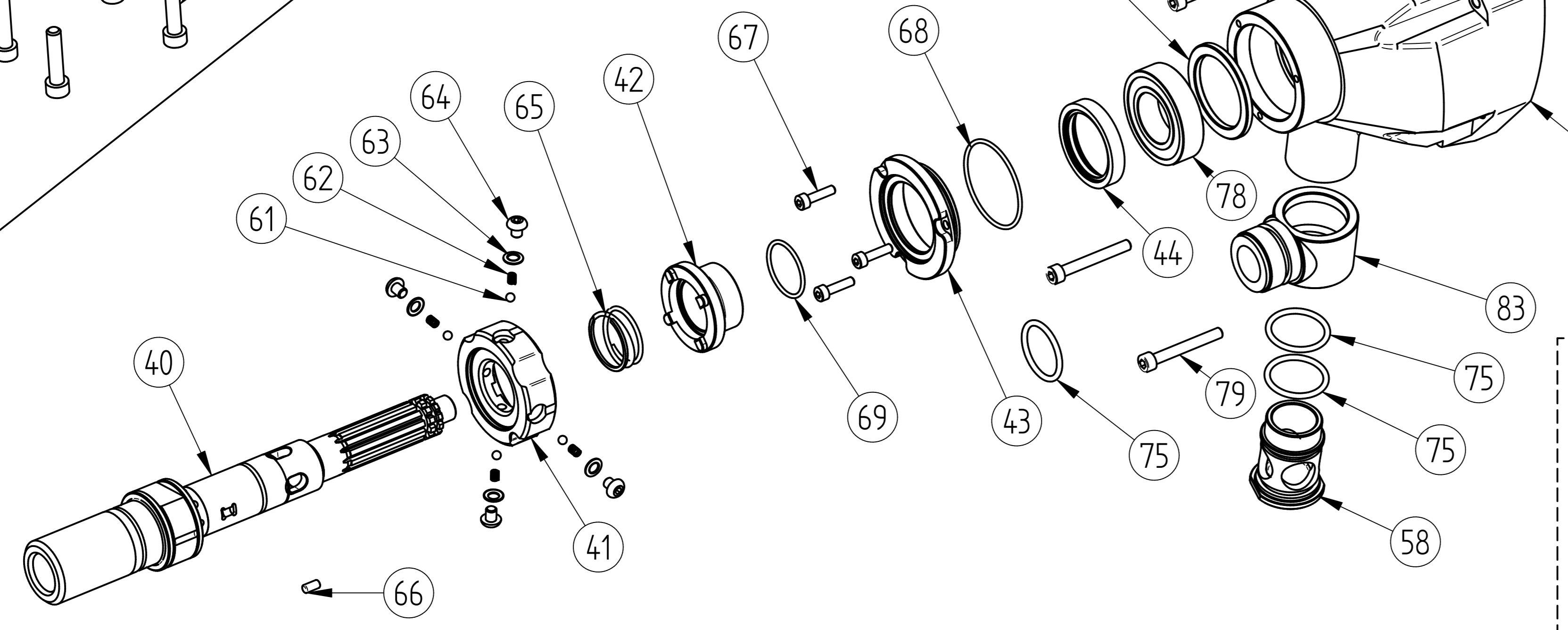


ITEM	CODE	Q.TY
1	506828-9005	1
2	506802	1
3	506202	4
4	506807	1
5	501095	4
6	506736	1
7	506739	1

ITEM	CODE	Q.TY	ITEM	CODE	Q.TY	ITEM	CODE	Q.TY	ITEM	CODE	Q.TY	ITEM	CODE	Q.TY
30	506887	1	42	506440	1	53	502212	1	65	506434	1	78	506166	1
31	506757	1	43	506446	1	54	506788	1	66	502091	1	79	505727	4
32	506826	1	44	506431	1	55	506787	1	67	502292	3	80	505726	4
33	506859	1	45	501589	1	57	506759	1	68	501609	1	81	502081	4
34	506889	1	46	506763	1	58	506810	1	69	506517	1	83	506811	1
35	500046	4	47	506764	1	59	506814	1	70	505594	4	84*	500048	2
36	500245	3	48	506765	1	60	506815	1	71	502238	1			
37	501450	1	49	506761	1	61	500119	4	74	503349	2			
39	506784	1	50	506860	1	62	500120	5	75	505539	3			
40	506817	1	51	506762	1	63	502088	4	76	500098	1			
41	506601	1	52	503516	1	64	506602	4	77	506752	1			



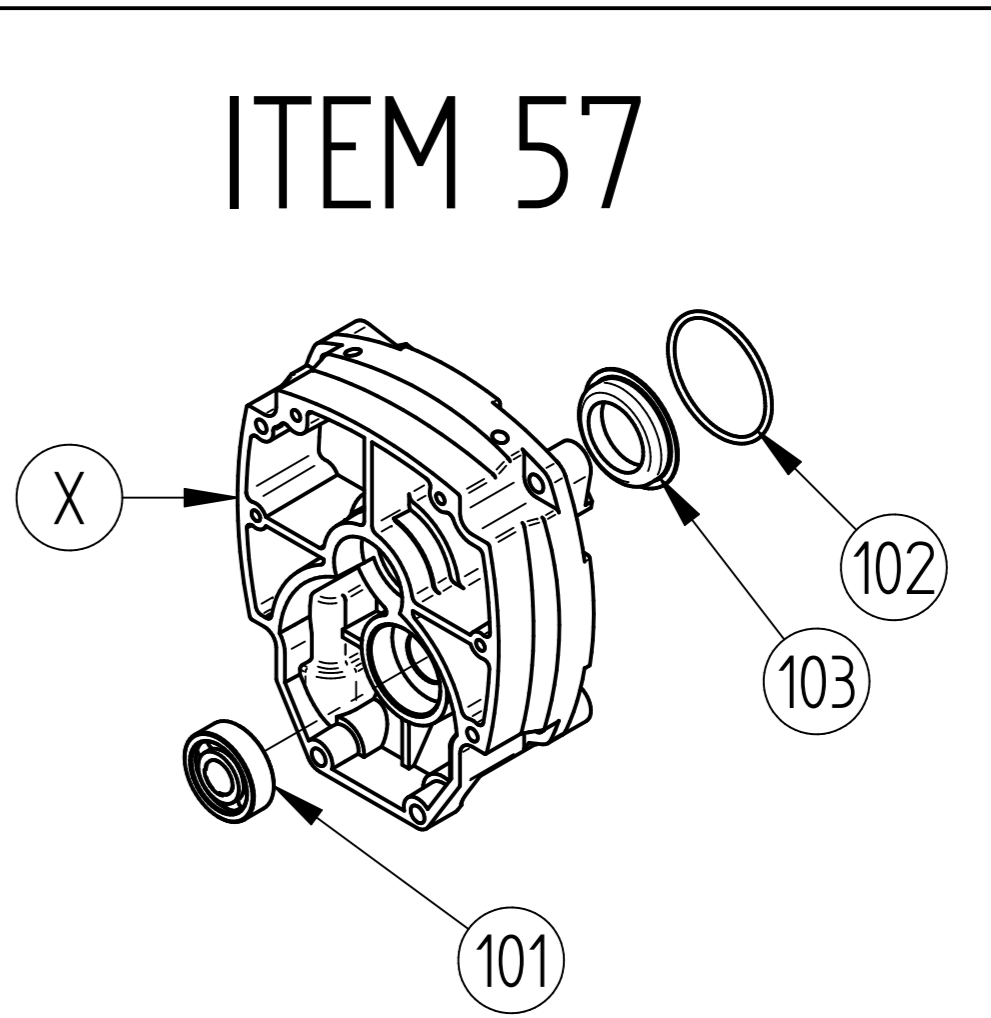
ITEM	CODE	Q.TY
20	506737	1
21	500510	1
22	500509	1
23	500511	1



**ITEM 55**

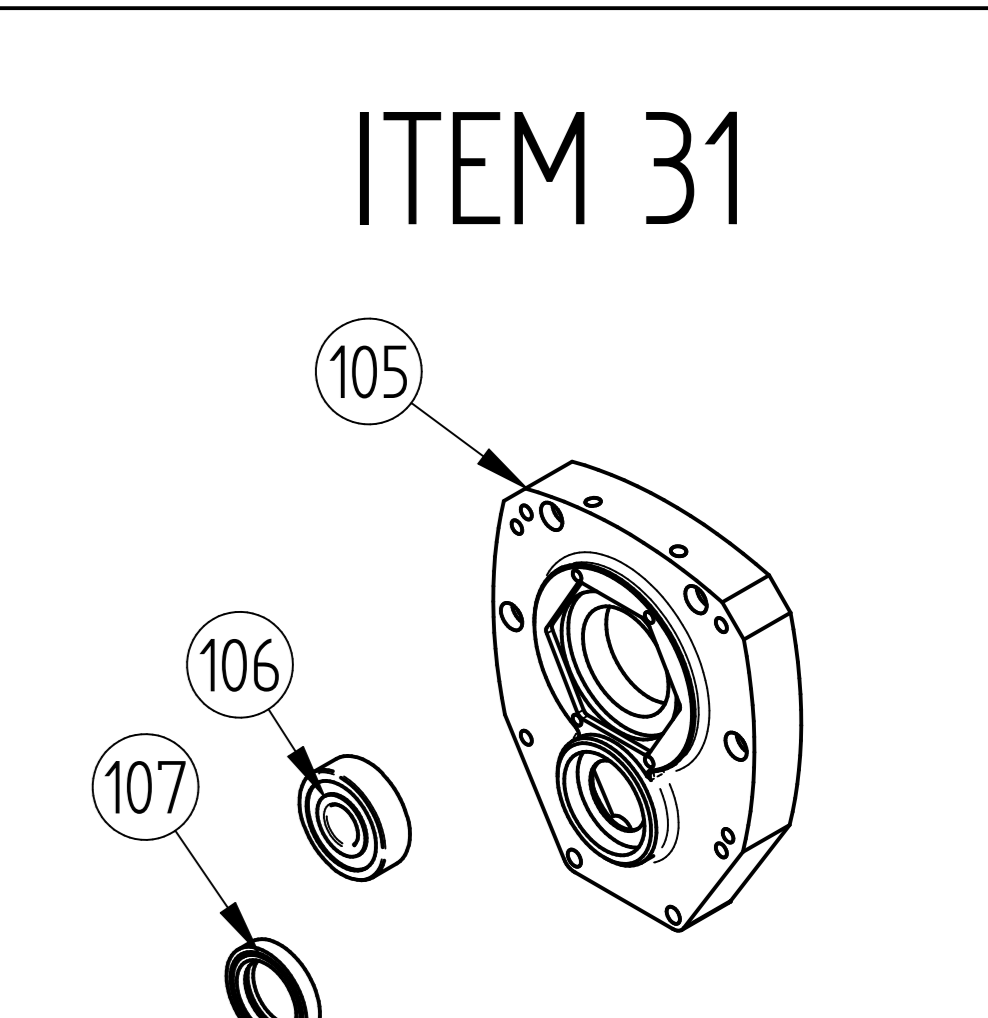
ITEM	CODE	Q.TY
201	506912	1
202	506905	1

**SERVICE KIT**  
**506897**



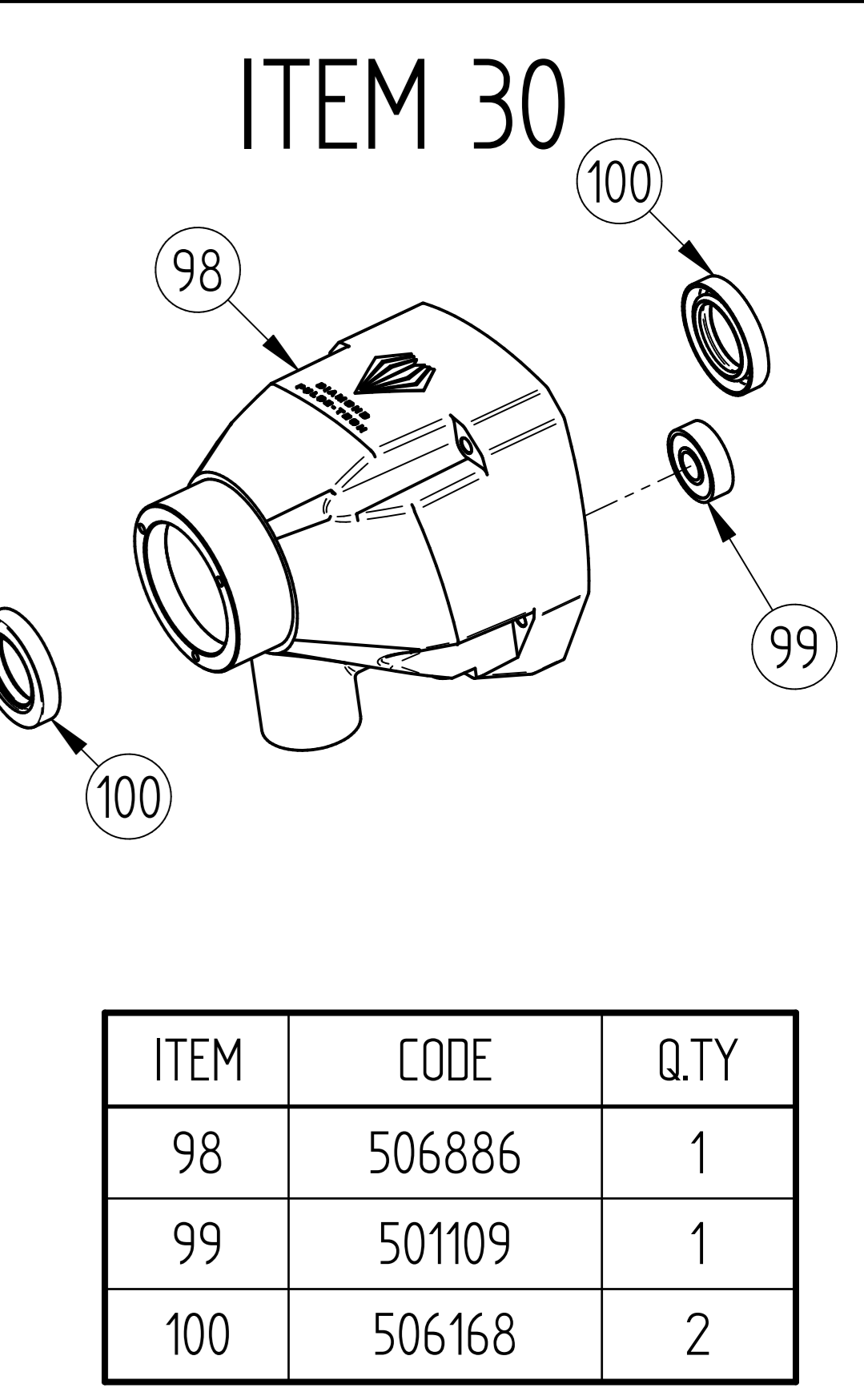
**ITEM 57**

ITEM	CODE	Q.TY
101	500030	1
102	500245	1
103	501821	1



**ITEM 31**

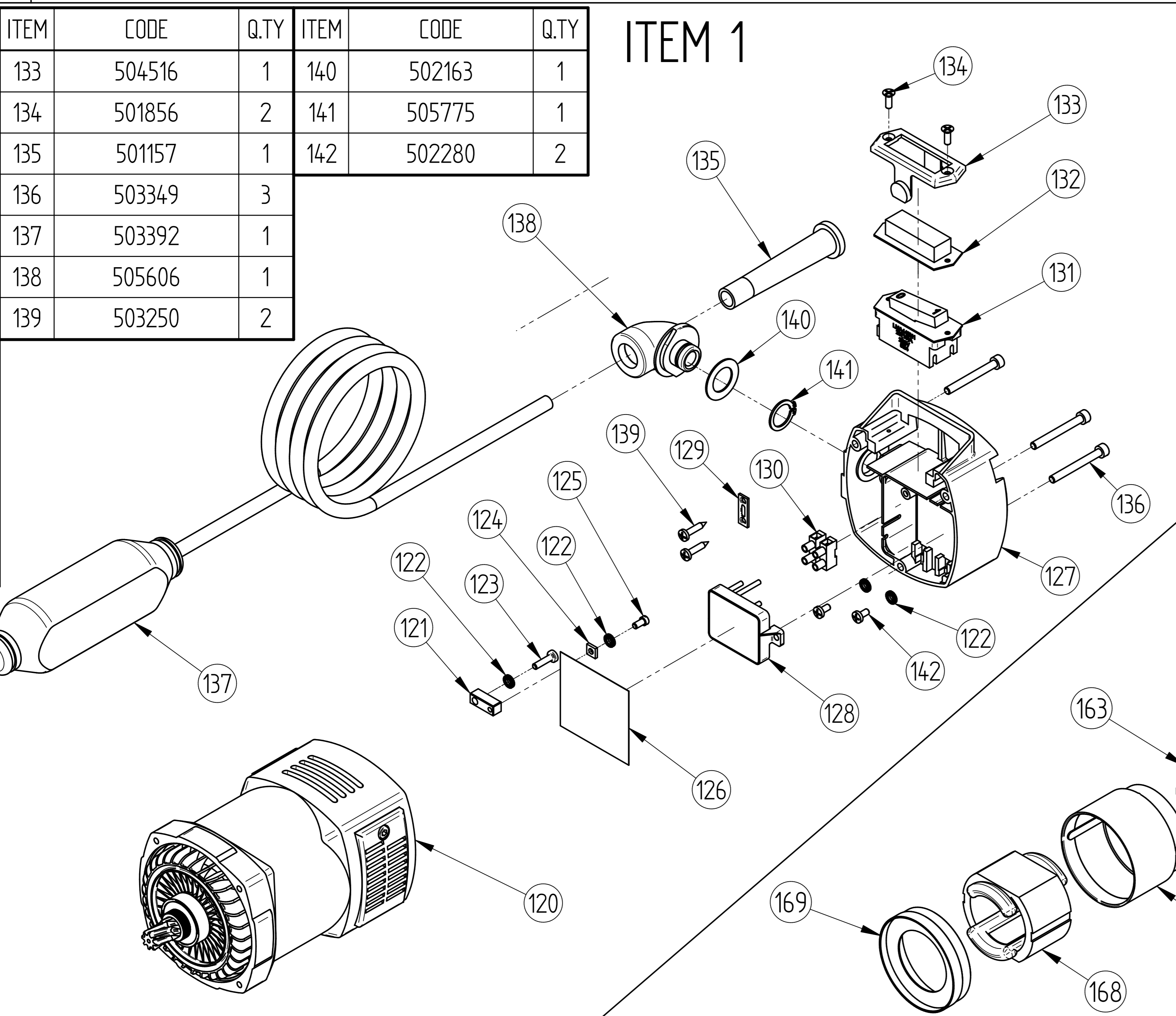
ITEM	CODE	Q.TY
105	506808.1	1
106	501750	1
107	506921	1



**ITEM 30**

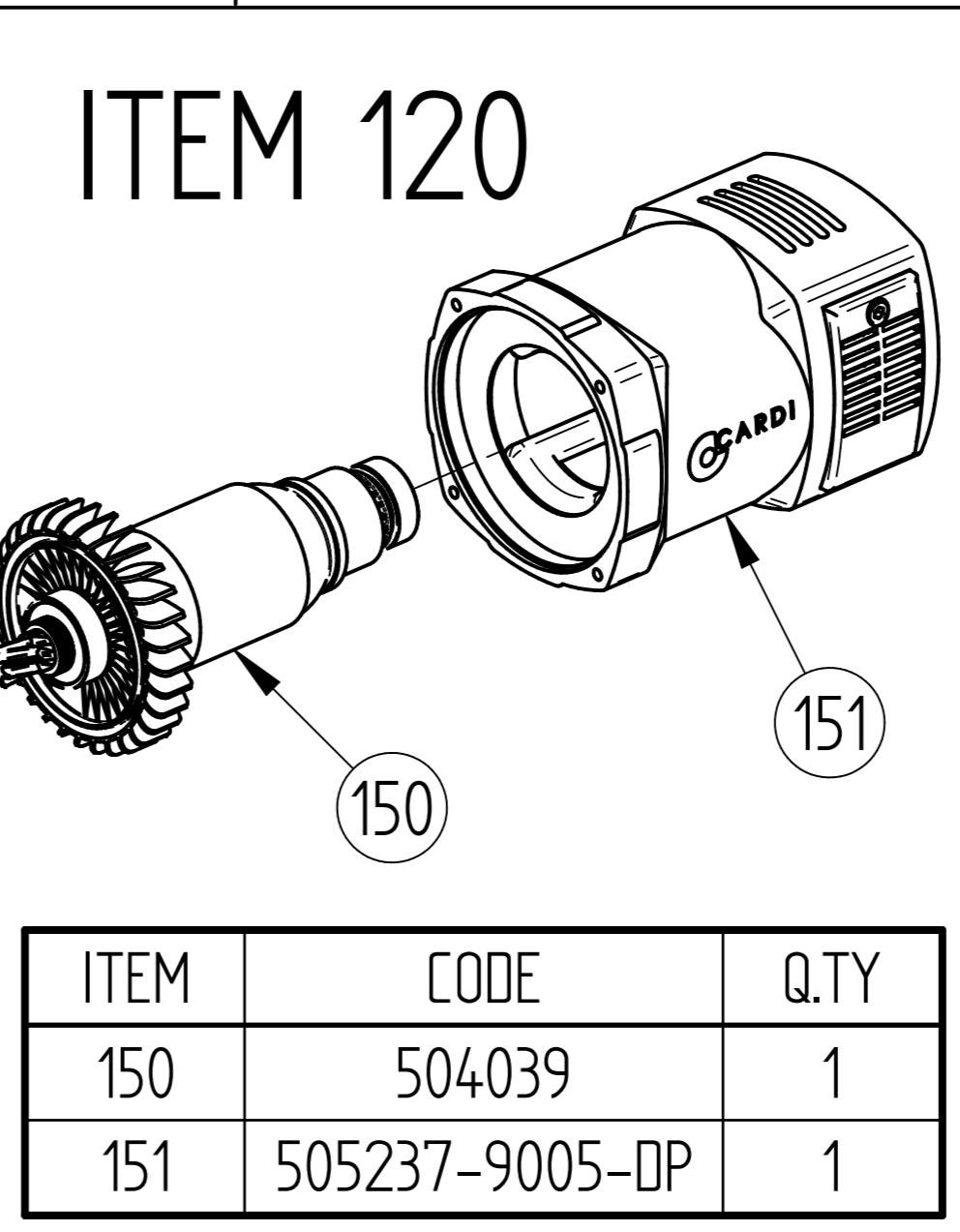
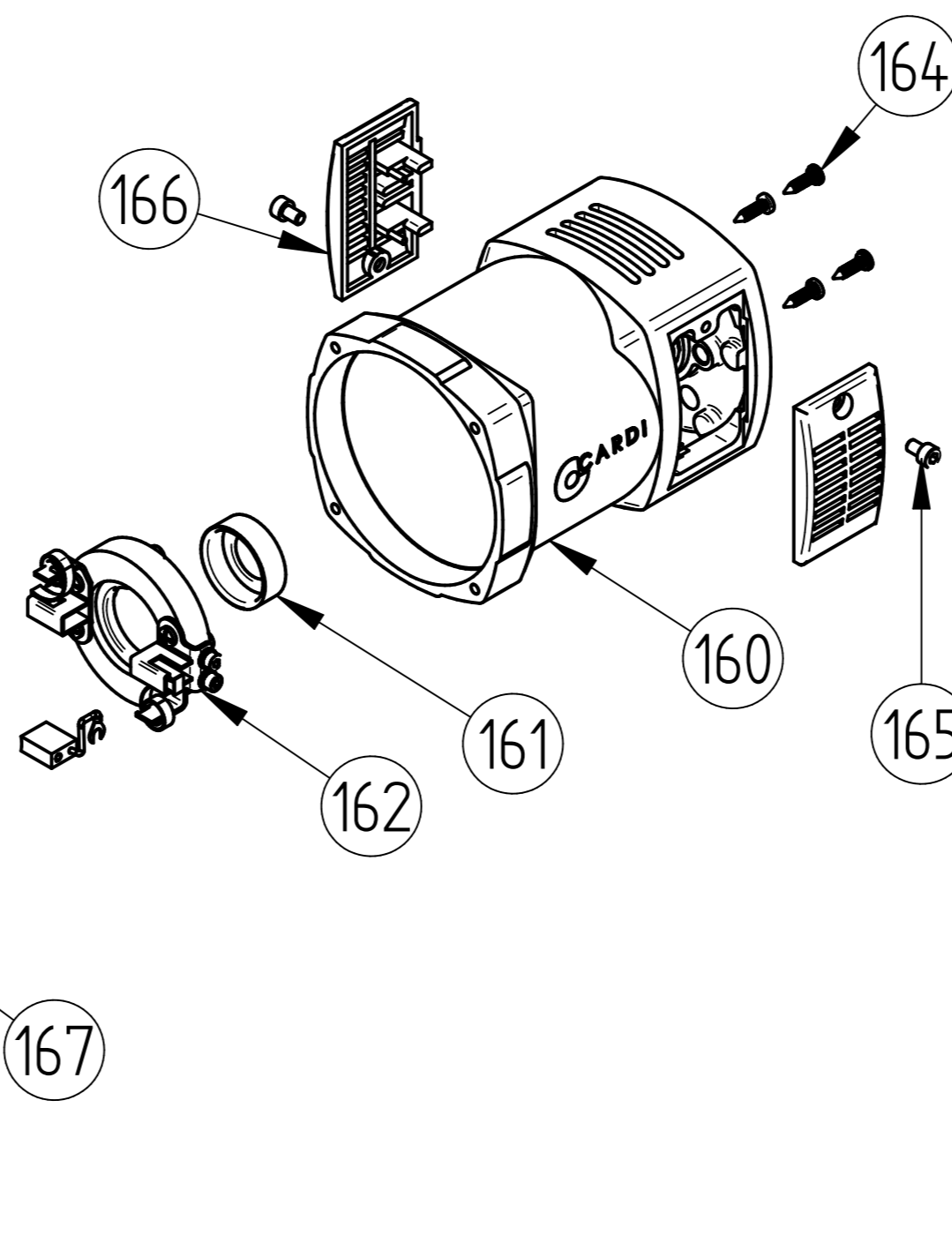
ITEM	CODE	Q.TY
98	506886	1
99	501109	1
100	506168	2

ITEM	CODE	Q.TY	ITEM	CODE	Q.TY	ITEM	CODE	Q.TY
120	506827-9005	1	133	504516	1	140	502163	1
121	501859	1	134	501856	2	141	505775	1
122	500292	4	135	501157	1	142	502280	2
123	501860	1	136	503349	3			
124	501720	1	137	503392	1			
125	501332	1	138	505606	1			
126	503348	1	139	503250	2			
127	504533	1						
128	506750	1						
129	501156	1						
130	502539	1						
131	500162	1						
132	500070	1						



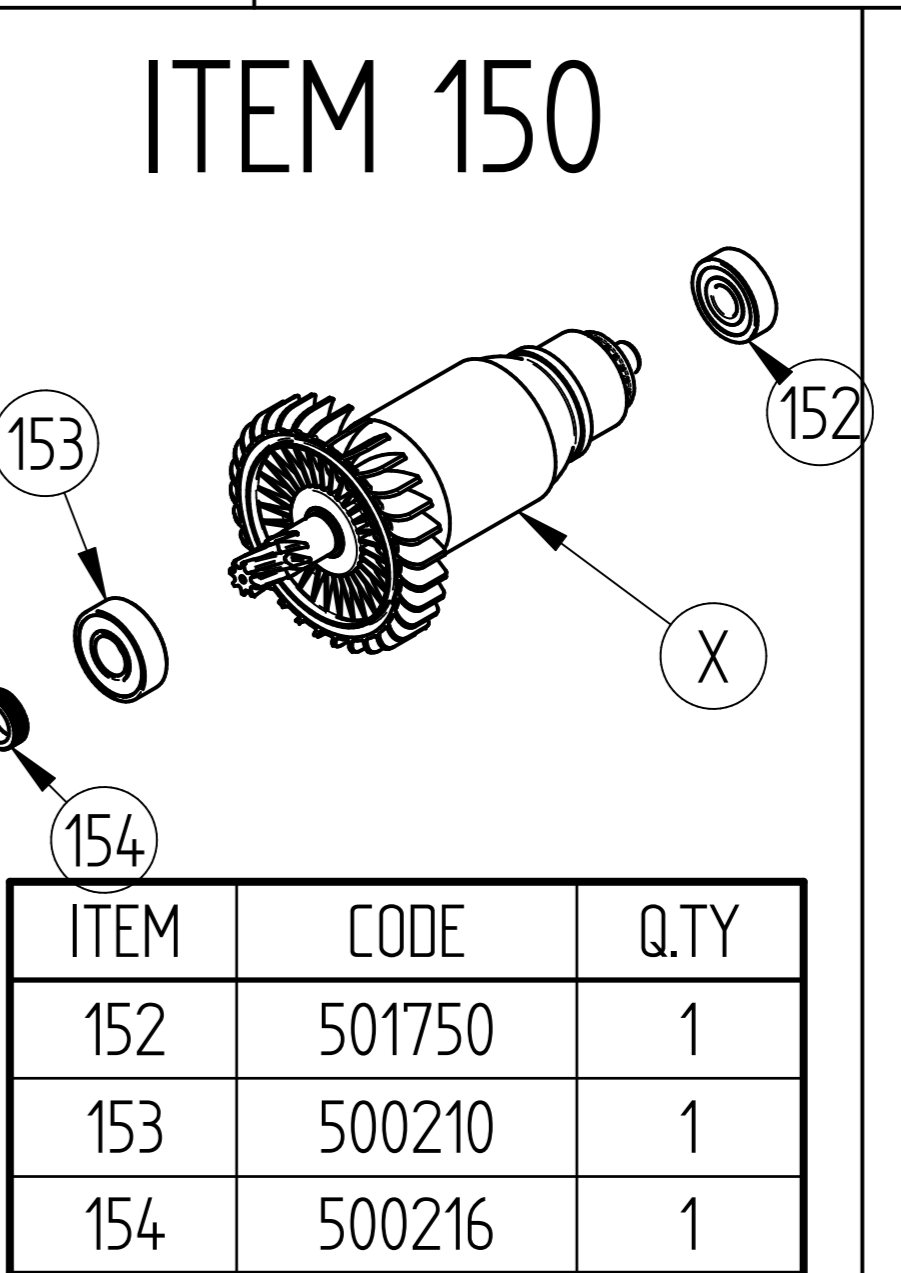
**ITEM 151**

ITEM	CODE	Q.TY
160	504005-9005	1
161	501869	1
162	506536	1
163	503940	1
164	502018	4
165	501090	1
166	501427	2
167	503928	1
168	504012	1
169	502554	1



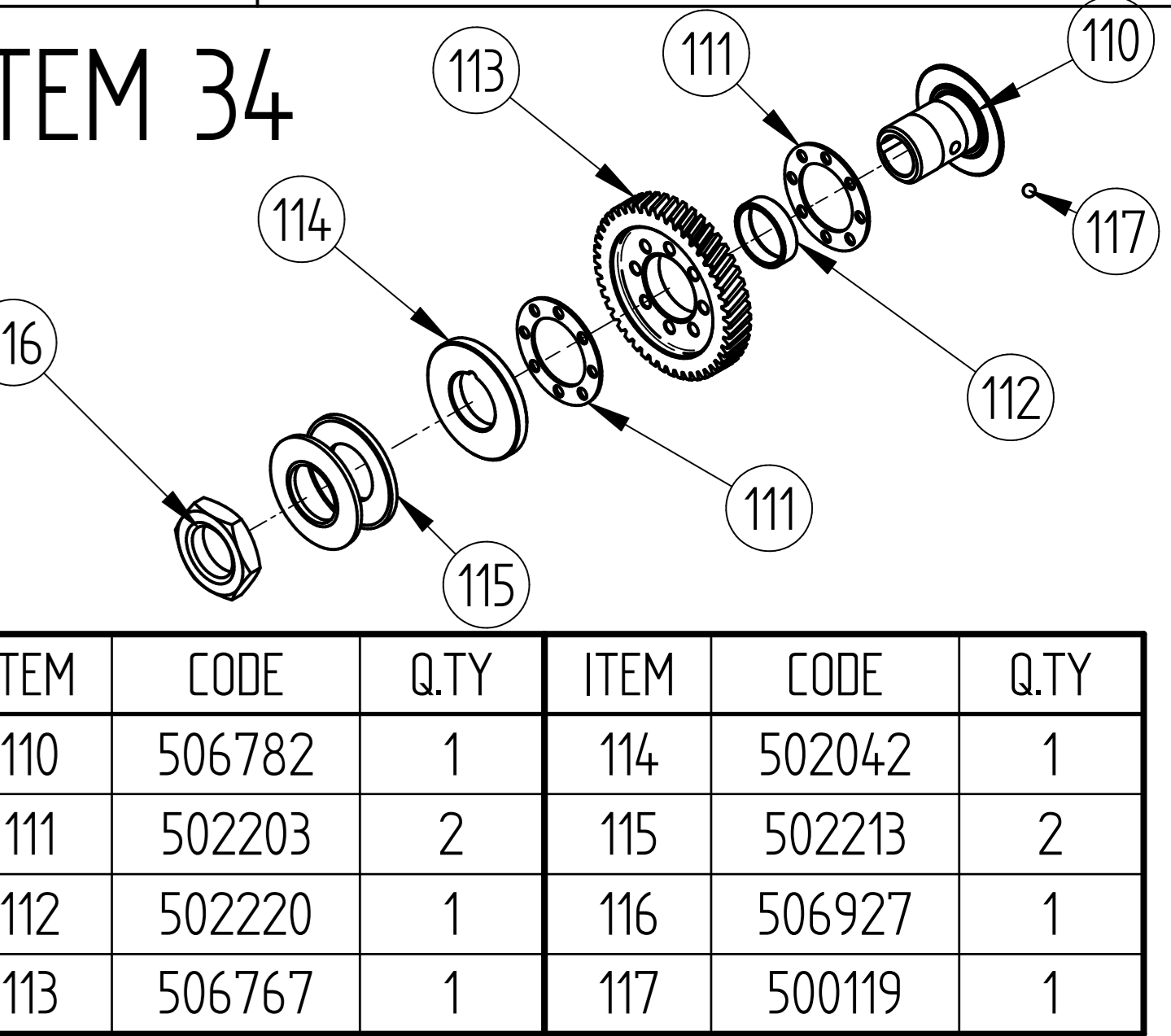
**ITEM 120**

ITEM	CODE	Q.TY
150	504039	1
151	505237-9005-DP	1



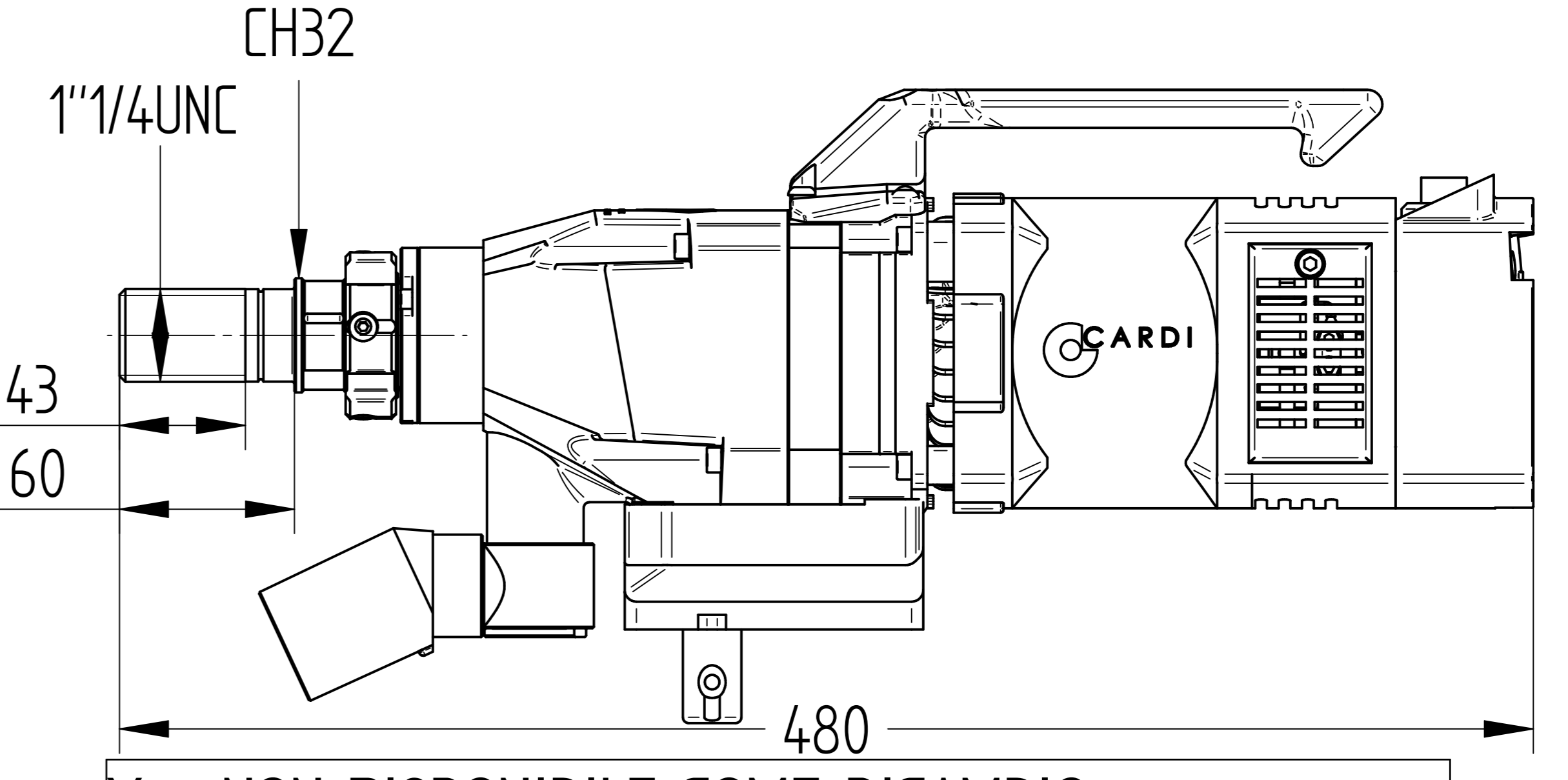
**ITEM 150**

ITEM	CODE	Q.TY
152	501750	1
153	500210	1
154	500216	1

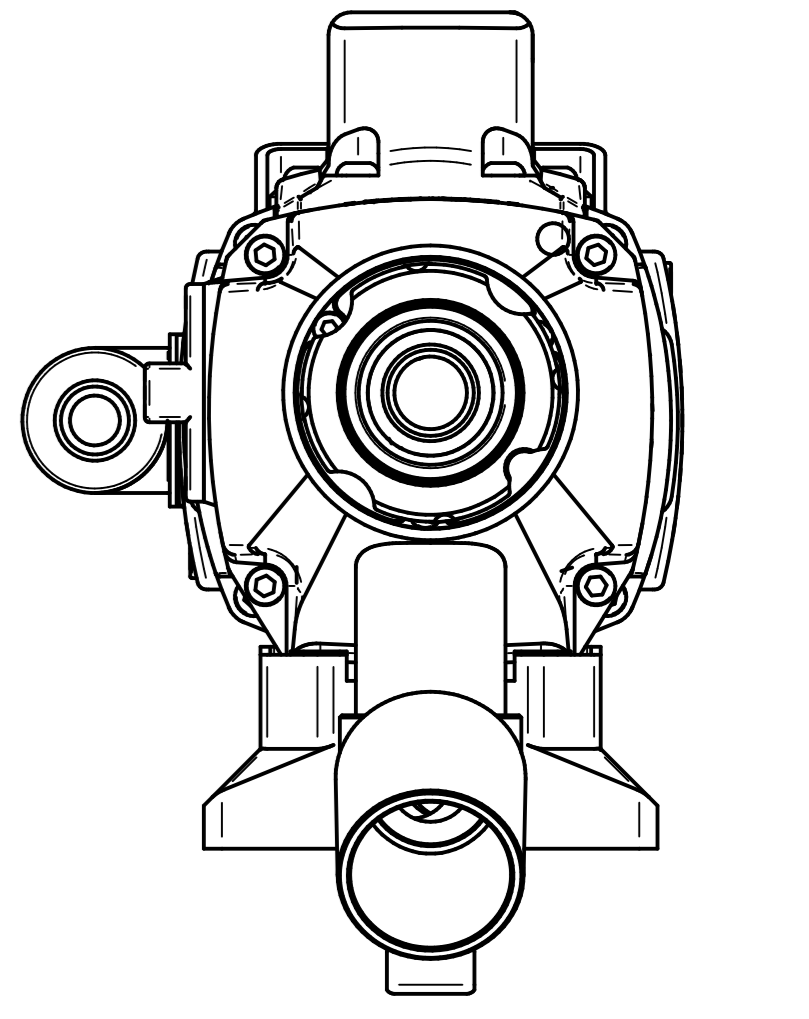


**ITEM 34**

ITEM	CODE	Q.TY	ITEM	CODE	Q.TY
110	506782	1	114	502042	1
111	502203	2	115	502213	2
112	502220	1	116	506927	1
113	506767	1	117	500119	1



X = NON DISPONIBILE COME RICAMBIO  
X = NOT AVAILABLE AS SPARE PART



**DPT 3000 SE-37 (230V)**  
**06/06/24**