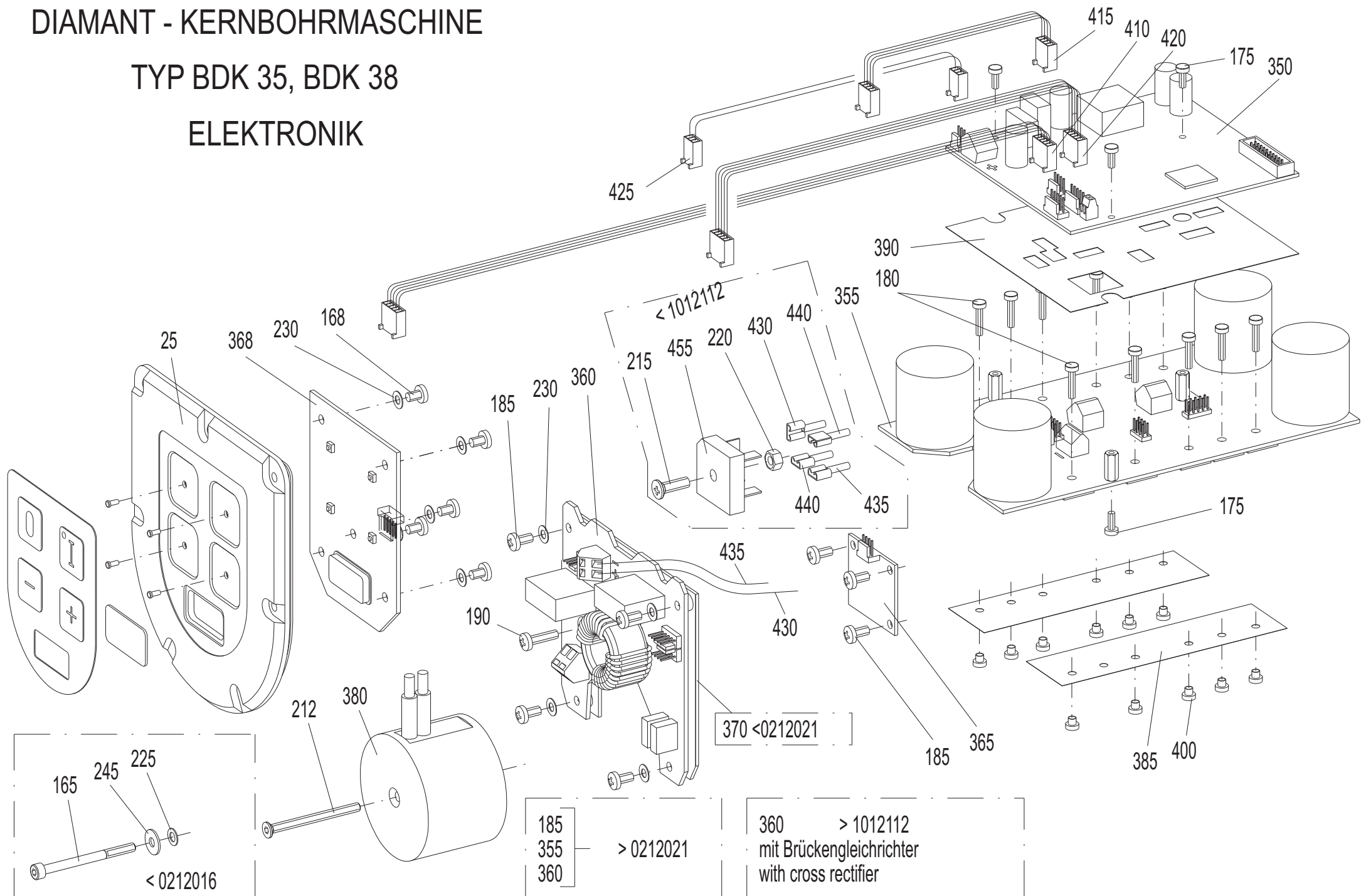


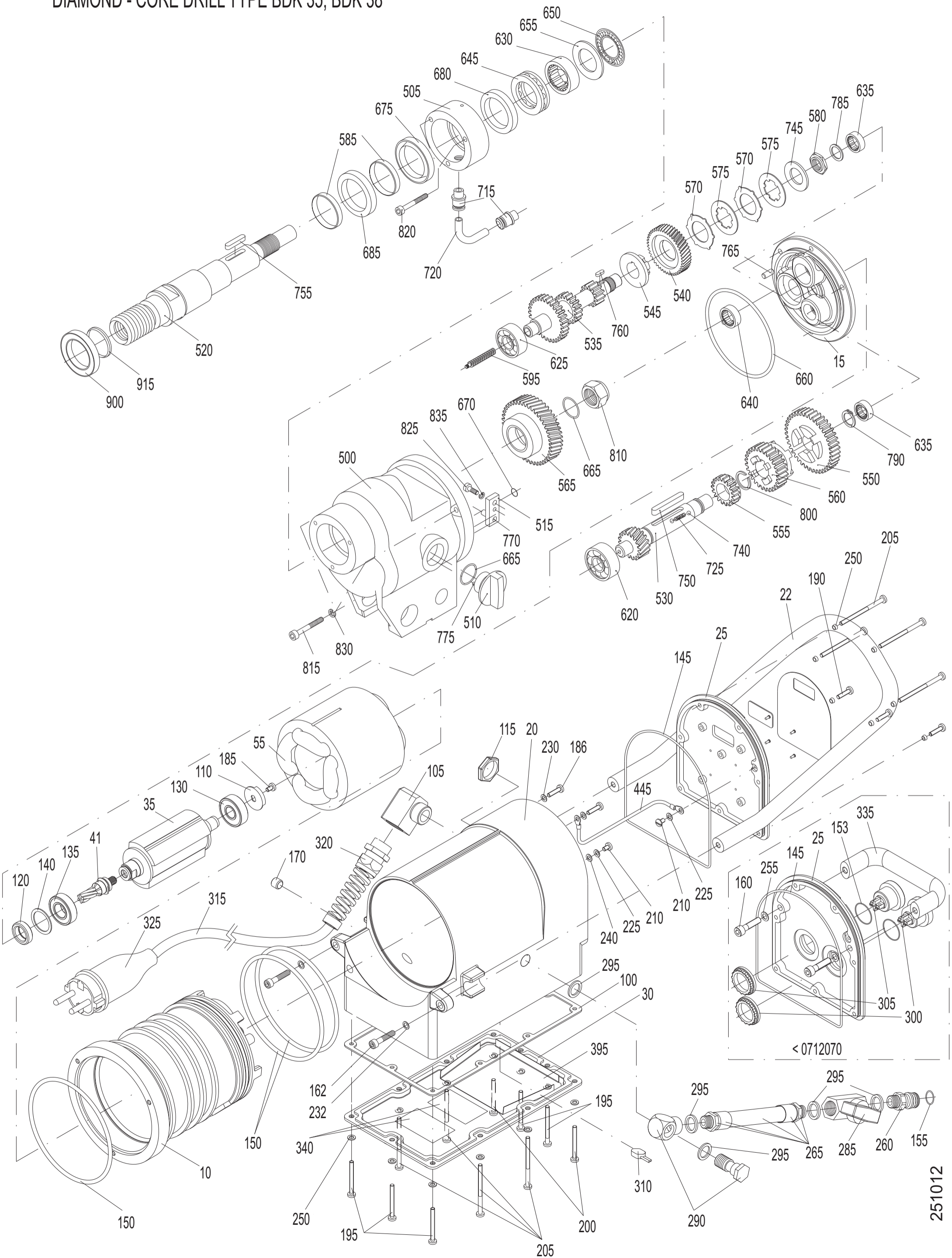
DIAMANT - KERNBOHRMASCHINE

TYP BDK 35, BDK 38

ELEKTRONIK



DIAMANT - KERNBOHRMASCHINE TYP BDK 35, BDK 38
 DIAMOND - CORE DRILL TYPE BDK 35, BDK 38



Spare Parts List

Diamond Core Drill Type BDK 25/38 - Motor

FIG	NO	DESCRIPTION	STANDARD	TYPE	PART NO
10	1	Motorcase			SR30101
15	1	Intermediate Flange			SR30102
20	1	Case Sleeve			SR30104-1
22	1	Carrying Holder			SR30105
25	1	Switch Cover cpl. with keypad			SR60133C
	1*	Switch Cover for On/Off button			SR30133
30	1	Terminal Case Cover			SR30135-1
35	1	Rotor compl.			SR30108
41	1*	Rotor pinion			SR30113
55	1	Stator compl.			SR70109
100	1	Terminal Case Sealing			SR30122
105	1	Cable Angle	M20x1,5		DK40140-1
110	1	Sensor-Disc			SR30118
115	1	Hexagon Nut	M20x1,5		8806020
120	1	Rotary Shaft Seal	14x24x7		5014247
130	1	Ball Bearing	6201 2Z		6062012
135	1	Ball Bearing	6002 2RS		6060022
140	1	Compensation Washer			2632201
145	1	O-Ring	RDR 135x2		4513502
150	3	O-Ring	RDR 110x4		4511004
153	2*	O-Ring	RDR 20x1,5		5520015
155	1	O-Ring	RDR 11x2,5		5511025
160	2*	Hex. Socket Head Screw	M6x20		0106020
162	2	Hex. Socket Head Screw	M6x25		0106025
165	1	Hex. Socket Head Screw	M4x55		0104055
168	5	Cheese head screw	M4x6		0294006
170	1	Locking Screw	R1/8"		7018008
175	6	Cheese head screw	M3x8		0303008
180	10	Cheese head screw	M3x14		0303014
185	4	Cheese head screw	M4x8		0304008
187	4	Cheese head screw	M4x14		0304014
190	5	Cheese head screw	M4x16		0304016
195	5	Cheese head screw	M4x40		0304040
200	2	Cheese head screw	M4x45		0304045
205	8	Cheese head screw	M4x60		0304060
210	1	Slot. Pan Head Screw	M4x6		0304006
215	1	Slot. Count. Head Screw	M5x16		0405016
220	1	Hexagon Nut	M5		1005000
225	2	Curved Spring Washer	A4		1804137
230	2	Locking Washer	SM4		1804000
232	2	Locking Washer	SM6		1806000
240	1	Medium Washer	4,3x8 Ms		1804433
245	1	Medium Washer	4,3x12		1804902
250	18	Sealing Washer	M4		1804001
255	2*	Sealing Ring	6x1		1806002
260	1	Quick Connect Nipple			DK20225
265	1	Hose Piece cpl. w. nipples			DK30235
285	1	Ball Valve			7014001
290	1	Angle Screwing	G1/4"		7015010
295	5	Sealing Ring	G1/4"		7014003
300	1*	On-Button			8011313
305	1*	Off-Button			8011221
310	1	Thermal Switch			8050100
315	1	Cord	G1,5X4m		8740152
320	1	Cord Gland	M20x1,5		8804020
325	1	Mains Plug	Schuko		8016013
335	1*	Carrying Handle			8910050
340	1	Dessicant sack	glued		7040601

Spare Parts List

Diamond Core Drill Type BDK 25/38 - Elektronik

FIG	NO	DESCRIPTION	STANDARD	TYPE	PART NO
350	1	Control Board		BDK38	SR38510-1
	1	Control Board		BDK25	SR20510-2
	1*	Control Board		BDK25	SR20510-1
	1*	Microcontroller U2			8644877
	1*	GAL U3			8628201
355	1	Power Board cpl. with Thermo Film		SR25/ SR38	SR20512-1
	1*	Power Board cpl. with Thermo Film (without Thyristor)		SR38	SR30512
	1*	Power Board cpl. with Thermo Film (without Thyristor)		SR25	SR20512
360	1	Power Supply Board		SR25/ SR38	SR30514-2
	1*	Power Supply Board (with Triac)			SR30514
365	1	Sensor Board			SR30516
368	1	I/O Board		SR25/ SR38	SR60518-1
	1*	I/O Board		SR38	SR30518
	1*	I/O Board		SR25	SR20518
370	1*	Cooling Plate			SR30140
380	1	PFC-Reactor			SR30538
385	2	Thermo Film			SR30520
390	1	Insulation Film			SR30522-2
395	1	Lid Insulation			SR30526
400	10	Insulation Bush			SR30530
	1*	Clamp for Controller			SR30532
	1*	Clamp for GAL			SR30534
410	1	Litzensatz - I/O-Board			SR60540
	1*	Strand Kid - ON-OFF Button	2x2 green/red		SR30540
415	1	Strand Kid - Sensor	4 green		SR30542
420	1	Strand Kid - DC/ON/OFF/UD	5 red		SR30544
425	1	Strand Kid - Power Board/Control Board	2 orange		SR30546
430	1	Strand - Cross Rectifier -CB +	2,5²x120 red		SR30550-1
	1*	Strand - Cross Rectifier +	2,5²x75 red		SR30550
435	1	Strand - Cross Rectifier -PB -	2,5²x90 black		SR30552-1
	1*	Strand - Cross Rectifier -	2,5²x75 black		SR30552
440	2*	Strand - Cross Rectifier ~ 1	2,5²x125 blue		SR30554
445	1	PE Strand	1x5x110 gn/ye		SR30558
455	1*	Cross Rectifier			8025800
460	4	Shock Absorber	10xM4		2810942

* parts are substituted

Spare Parts List

Diamond Core Drill Type BDK 25/38 - Gear

FIG	NO	DESCRIPTION	STANDARD	TYPE	PART NO
500	1	Gear Box		SR38	SR30201
	1	Gear Box		SR25	SR20201
505	1	Water Supply Bush			SR30202
510	1	Gear Change Grip		SR38	DK20203
515	1	Gear Change Lever		SR38	DK30205
	1*	Carrying Holder		SR25	SR20228
520	1	Drill Spindle cpl. with fig. 585, 1 1/4" UNC		SR38	SR30206
	1	Drill Spindle cpl. with fig. 585, 1 1/4" UNC		SR25	SR20206
525	1	Drill Spindle cpl. with fig. 585, M33/3		SR38	SR30206.8
	1	Drill Spindle cpl. with fig. 585, M33/3		SR25	SR20206.8
530	1	Gear Change Shaft		SR38	DK30207
	1	Gear Shaft		SR25	SR20207
535	1	Pinion Shaft		SR38	SR30208-1
	1	Pinion Shaft		SR25	SR20208
540	1	Spur Wheel			SR30209
545	1	Bearing Bush			SR30221
550	1	Gear Wheel 1		SR38	DK30212
	1	Gear Wheel		SR25	SR20212
555	1	Gear Wheel 3		SR38	DK30213
560	1	Slide Gear Wheel		SR38	DK30214
565	1	Spindle Wheel			SR30215
570	2	Brake Disk			SR30218
575	2	Pressure Disk			SR30219
580	1	Hexagon Nut			SR30220-2
585	2	Shaft Wearing Sleeve			DK20210
595	1	Feed Worm			SR30230
620	1	Ball Bearing	6302		6063020
625	1	Ball Bearing	6201		6062010
630	1	Needle Bearing	NK3/020		6330200
635	2	Needle Bush	HK1412		6314120
640	1	Needle Bush	HK2016		6320160
645	1	Thrust Ball Bearing			6551106
650	1	Thrust Needle Bearing	AXK3047		6530470
655	1	Thrust Bearing Washer	AS3047		6530471
660	1	O-Ring	RDR102x3		5510203
665	2	O-Ring	RDR20x3	SR38	5520003
	1	O-Ring	RDR20x3	SR25	5520003
670	1	O-Ring	RDR9x3		5509003
675	1	Rotary Shaft Seal	40x52x7		5040527
680	1	Rotary Shaft Seal	38x50x7		5038507
685	1	Rotary Shaft Seal	40x52x7S		5040521
715	2	Quick Connect Nipple	G1/4"/8		7014668
720	1	Junction Hose	5/8x110		7058110
725	1	Pressure Spring		SR38	4305235
740	2	Ball	4	SR38	2204000
745	1	Disk Spring	31,5x16,3x2		4031162
750	1	Parallel Key	A6x6x45	SR38	3006045
	1	Parallel Key	A6x6x14	SR25	3006014
755	1	Parallel Key	A5x5x25		3005025
760	1	Parallel Key	A4x4x10		3004010
765	1	Parallel Pin	6m6x10		2506010
770	1	Parallel Pin	5m6x15	SR38	2505015
775	1	Parallel Pin	3m6x16	SR38	2503016

* parts are substituted

Spare Parts List Diamond Core Drill Type BDK 25/38 - Gear

FIG	NO	DESCRIPTION	STANDARD	TYPE	PART NO
785	1	Shim Ring	PS14x20x1		1914201
790	1	Retaining Ring	16x1	SR38	3516001
	1	Retaining Ring	SW20	SR25	3620000
800	1	Retaining Ring	SW20	SR38	3620000
810	1	Hexagon Nut	M22x1,5		SR30226
815	3	Hex. Soc. Head Screw	M6x35		0106035
820	3	Hex. Soc. Head Screw	M5x45		0105045
825	1	Hex. Soc. Head Screw	M5x12	SR38	0105012
	2*	Hex. Soc. Head Screw	M5x20	SR25	0115020
830	3	Locking Washer	SM6		1806000
835	1	Locking Washer	SM5	SR38	1805000
	2*	Locking Washer	SM5	SR25	1805000
	1	Gear Oil	300ml	SR38	9030004
	1	Gear Oil	160ml	SR25	9016004
900	1	Antifriction Element		1 1/4" UNC	AE35
	1	Antifriction Element		M33/3	AE60
	2	O-Ring	32x1,5	1 1/4" UNC	5532015
915	1	O-Ring	33x1,5	M33/3	5533015

* parts are substituted

Please specify in case of spare part orders:
Machine No., Quantity, Description, Part No. and by electrical parts the voltage.