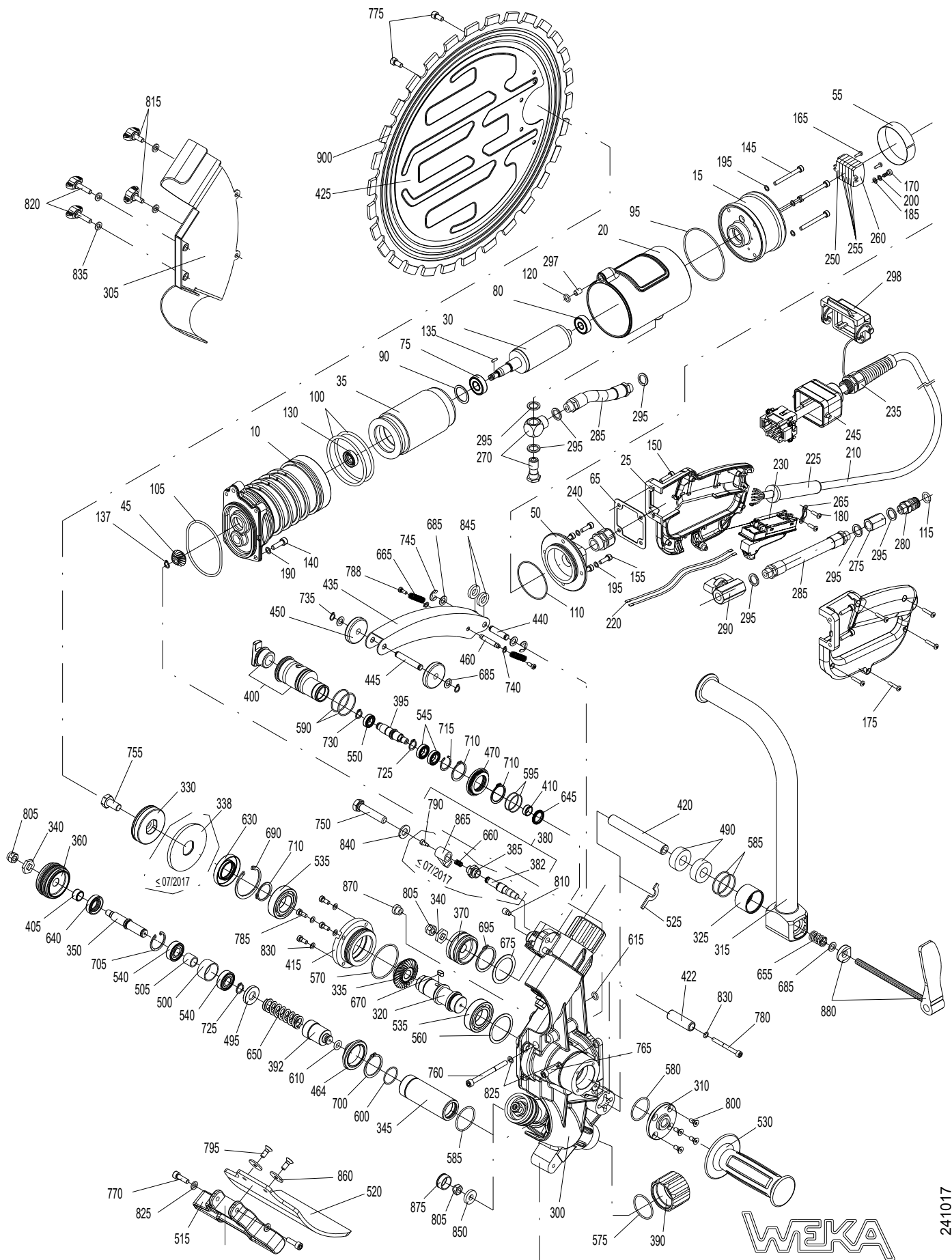


Diamant - Ringsäge TYP TR 40

Diamond - Ring Saw TYPE TR 40



Spare Parts Price List

Diamond - Ring Saw Type TR 40 - Motor

EPE-TR40 060218

Page 1/4

FIG	QTY	DESCRIPTION	STANDARD	PART NO
10	1	Motorcase		TS40101
15	1	Motor Top Case		TS40103
20	1	Case Sleeve		TS40104
25	1	Switch Handle cpl.		TS40105
30	1	Rotor with Bearings	> 08 / 2017	TR40108
	1*	Rotor with Bearings	< 07 / 2017	TK40108
35	1	Stator cpl.		TS40109
45	1	Bevel Gear Set Fig.45+335 (TR40113.1 + TR40215.1) only change as a set	≥ 08 / 2017	TR4022.1
	1*	Bevel Gear Set Fig.45+335 (TR40113 + TR40215) only change as a set	≤ 07 / 2017	TR4022
50	1	Motor Top Case Hood		TS40128
55	1	Insulation Film		TS40522
65	1	Terminal Case Packing		DK10122
75	1	Ball Bearing		6060011
80	1	Ball Bearing		6062902
90	1	Compensation Washer		2628171
95	1	O-Ring	RDR78X2	5578002
100	2	O-Ring	RDR74X4	5574004
105	1	O-Ring	RDR72X2	5572002
110	1	O-Ring	RDR55X2	5555002
115	1	O-Ring	RDR11x2,5	5511025
120	1	O-Ring	RDR8x2	5508002
130	1	Rotary Shaft Seal	RWD12x24x7A	5012247
135	1	Parallel Pin	> 08 / 2017	TR40145
	1*	Parallel Pin	< 07 / 2017	2503010
137	1	Retaining Ring	9x1	3509001
	1*	Retaining Ring	8x0,8 until 08/2017	3508008
140	2	Hex. Socket Head Screw	M6x20	0106020
145	4	Hex. Socket Head Screw	M5x50	0105050
150	4	Hex. Socket Head Screw	M5x20	0115020
155	4	Hex. Socket Head Screw	M5x16	0105016
165	2	Cheese head screw	M3x10	0303010
170	1	Sl. Pan Head Screw	M4x6	0304006
175	5	Pan Head Tapping Screw	F3,9x19 (BZ)	0539019
180	2	Pan Head Tapping Screw	F3,9x13 (BZ)	0539013
185	1	Curved Spring Washer	A4	1804137
190	2	Locking Washer	SM6	1806000
195	8	Locking Washer	SM5	1805000
200	1	Medium Washer	4,3x8x0,5 Ms	1804433
210	1	Cord cpl. with male insert, + Fig. 225,235,240,245,298	6G1,5x4,4 10P	8744512
220	2	Motor Strand	1,5²x290	8715290
225	1	Cord Sleeve	D12	8701200
230	1	Motor Switch		8020240
235	1	Cord Gland	M20x1,5 7-13 EMV	8820152
240	1	Cord Gland	M20x1,5 6x2,5	8862520
245	1	Hood	6B EMV	8016106
250	1	End Terminal Block with Fixing Flange		7924301
255	4	Center Terminal Block		7924321
260	1	End Plate with Fixing Flange		7900361
265	1	Cord Clamping Piece		8800010
270	1	Angle Screwing	G 1/4"	7015010
275	1	Socket		7014026
280	1	Quick Connect Nipple		DK20225
285	2	Hose Piece cpl. with nipples		DK30235
290	1	Ball Valve		7014041
295	7	Sealing Ring	G1/4"	7014003
297	1	Fixing Sleeve		HS40222
298	1	Protective Hood		8016504

* parts are substituted

Please specify in case of spare part orders:
Machine No., Quantity, Description, Part No. and by electrical parts the voltage.

Spare Parts Price List

Diamond - Ring Saw Type TR 40 - Gear

POS	ST	DESCRIPTION	STANDARD	PART NO
300	1	Gear Box cpl. with Guide Bush, Bow Pin and O-Rings		TR40201-1C
305	1	Cover cpl. with Distance Bush and Fig. 815,820,835		TR40202C
310	1	Bearing Hood incl. O-Ring fig.580		TR40203C
315	1	Handle cpl.		TS40205-1C
320	1	Spindle	> 08 / 2017	TR40206-1
	1*	Spindle incl. Oil Stopper	< 07 / 2017	TR40206C
316	1	Sleeve		TS40210
330	1	Drive Sprocket	> 08 / 2017	TR40214-1
	1*	Drive Sprocket	< 07 / 2017	TR40214
335	1	Bevel Gear Set Fig.45+335 (TR40113.1 + TR40215.1) only change as a set	> 08 / 2017	TR4022.1
	1*	Bevel Gear Set Fig.45+335 (TR40113 + TR40215) only change as a set	≤ 07 / 2017	TR4022
338	1*	Pressure Disk	< 07 / 2017	TR40219
340	4	Hex Washer		TR40220
345	2	Guide Sleeve		TR40225
350	2	Roller Shaft		TR40226
360	2	Guide Roller kpl.		TR4023
370	2	Support Roller		TR40228
380	2*	Clamping Shaft kpl.		TR40229C
382	2*	Clamping Shaft		TR40229
385	2*	Cap Nut		TR40230
390	2	Knob		TR40232
392	2	Pressure Sleeve incl. O-Ring fig.610		TR40234C
395	2	Roller Shaft		TR40236
400	2	Eccentric Shaft cpl. incl. T-Knob		TR40240C
405	2	Shaft Wearing Sleeve		TR40242
410	2	Shaft Wearing Sleeve		TR40244
415	1	Bearing Ring incl. O-Ring fig.570		TR40248C
420	1	Handle Axle		TS40250
425	1	Guide Blade		TR40252
422	1	Stop Sleeve		TS40258
435	1	Guard Bow		TR40260-1
440	2	Bow Axle		TR40262
445	1	Bow Axle		TR40264
450	2	Bow Wheel		TR40265
460	1	Bow Pin		TR40267
464	2	Protection Sleeve cpl.		TR40270C
470	2	Protection Sleeve cpl. w. O-Rings fig.595		TR40272C
490	2	Adjust Sleeve		TS40280-1
495	2	Pressure Disk		TR40282
500	2	Distance Sleeve		TR40283
505	2	Distance Sleeve		TR40284
515	1	Stand		TR40290
520	1	Splash Guard		TR40292
525	2	Seal		TR40296
527	1	Housing seal		TR40297
530	1	Handle		8900014
535	2	Ball Bearing	6005	6060050
540	4	Ball Bearing	6001ZZ	6060011
545	4	Ball Bearing	6801ZZ	6068012
550	2	Ball Bearing	6800ZZ	6068002
560	1	Compensation Washer		2646401
570	1	O-Ring	RDR 50x2	5550002
575	2	O-Ring	RDR 34x2	5534002
580	1	O-Ring	RDR 32x2	5532002
585	4	O-Ring	RDR 32x1,5	5532015
590	4	O-Ring	RDR 30x1,5	5530015

* parts are substituted

Spare Parts Price List Diamond - Ring Saw Type TR 40 - Gear

FIG	QTY	DESCRIPTION	STANDARD	PART NO	
595	4	O-Ring	RDR 25x1	5525001	
600	2	O-Ring	RDR 24x1,5	4524015	
610	2	O-Ring	RDR 8X3	5508003	
615	1	O-Ring	RDR 8x2	5508002	
630	1	Rotary Shaft Seal	RWD25x47x7AS	5025471	
640	2	Rotary Shaft Seal	RWD15x28x7AS	5015281	
645	2	Rotary Shaft Seal	RWD15x21x3AS	5015213	
650	2	Pressure Spring	2,8x16,1x65	4328065	
655	1	Pressure Spring	2,0x12,5x22,5	4320225	
660	2*	Pressure Spring		4306088	
665	2	Extension Spring	1,0x7,0x30	4410030	
670	1	Parallel Pin	A5x5x10	3005010	
675	2	Shim Ring	PS35x45x1	1935451	
685	5	Shim Ring	PS8x14x1	1908141	
690	1	Retaining Ring	J47x1,75	3447175	
695	2	Retaining Ring	A35x1,5	3535015	
700	2	Retaining Ring	A32x1,5	3532015	
705	2	Retaining Ring	J28x1,2	3428012	
710	5	Retaining Ring	A25x1,2	3525012	
715	2	Retaining Ring	JV21x1	3421001	
725	4	Retaining Ring	A12x1	3512001	
730	2	Retaining Ring	A10x1	3510001	
735	2	Retaining Ring	A8x0,8	3508008	
740	2	Retaining Ring	A6x0,7	3506007	
745	4	Retaining Ring	RA6	3606679	
750	2	Hexagon Head Screw	M10x50	0610050	
755	1	Hexagon Head Screw	≥ 08 / 2017	TS40276	
	1*	Clamp Screw (Count. Head Screw)	≤ 07 / 2017	TR40276	
760	1	Hex. Socket Head Screw	M6x70	0106070	
780	1	Hex. Socket Head Screw	M6x20	0106020	
770	2	Hex. Socket Head Screw	M6x16	0106016	
775	2	Hex. Socket Head Screw	M6x12	0106012	
780	1	Hex. Socket Head Screw	M5x45	0125045	
785	4	Hex. Socket Head Screw	M5x12	0115012	
788	2	Hex. Socket Head Screw	M4x10	0104010	
790	2*	Hex. Socket Head Screw with Shoulder	M3	0503004	
795	2	Count. Head Screw	M6x16	0406016	
800	4	Count. Head Screw	M5x12	0405012	
805	5	Hexagon Nut with prevailing torque insert	M8	1008985	
810	2	Hex. Socket Set Screw with dog point	M8x12	0708012	
815	2	Wing Srew	M6x15	0506515	
820	2	Wing Srew	M6x25	0506525	
825	4	Locking Washer	SM6	1806000	
830	5	Locking Washer	SM5	1805000	
835	4	Curved Spring Washer	B6	1806137	
840	2	Medium Washer	A10,5	1810125	
845	2	Medium Washer (PE)	10,5x20x4	1820104	
850	1	Medium Washer	8,4x21x4	1821844	
860	2	Medium Washer	6,6x22x2	1806410	

* parts are substituted

Spare Parts Price List
Diamond - Ring Saw Type TR 40 - Gear

FIG	QTY	BENENNUNG	STANDARD	PART NO	
865	2*	Lever Body		2760444	
870	1	Rubber Grommet		7000608	
875	1	Plug		5321495	
880	1	Cam Lever cpl. with Pressure Disc	M8	2708158	
	1	Gear Oil	30ml	9003004	

* parts are substituted

Spare Parts Price List
Diamond - Ring Saw Type TR 40 - Equipment

FIG	QTY	DESCRIPTION	STANDARD	PART NO	
900	1	Ring Saw Blade		TR40401	
	1	Ring Saw Blade Masonry		TR40401.1	
	1*	Hex Angle Screwdriver	SW6	9018406	
	1	Face Pin Wrench	35x5	9800355	
	1	Box Wrench	SW 17	9831117	

Spare Parts Price List
Diamond - Ring Saw Type TR 40 - Special Parts

FIG	QTY	DESCRIPTION	STANDARD	PART NO	
	1	Male Insert without Male Contacts	10P	8016312	
	5	Male Contact	1,5 ²	8016815	
	1	Coding Bridge		TR40540	